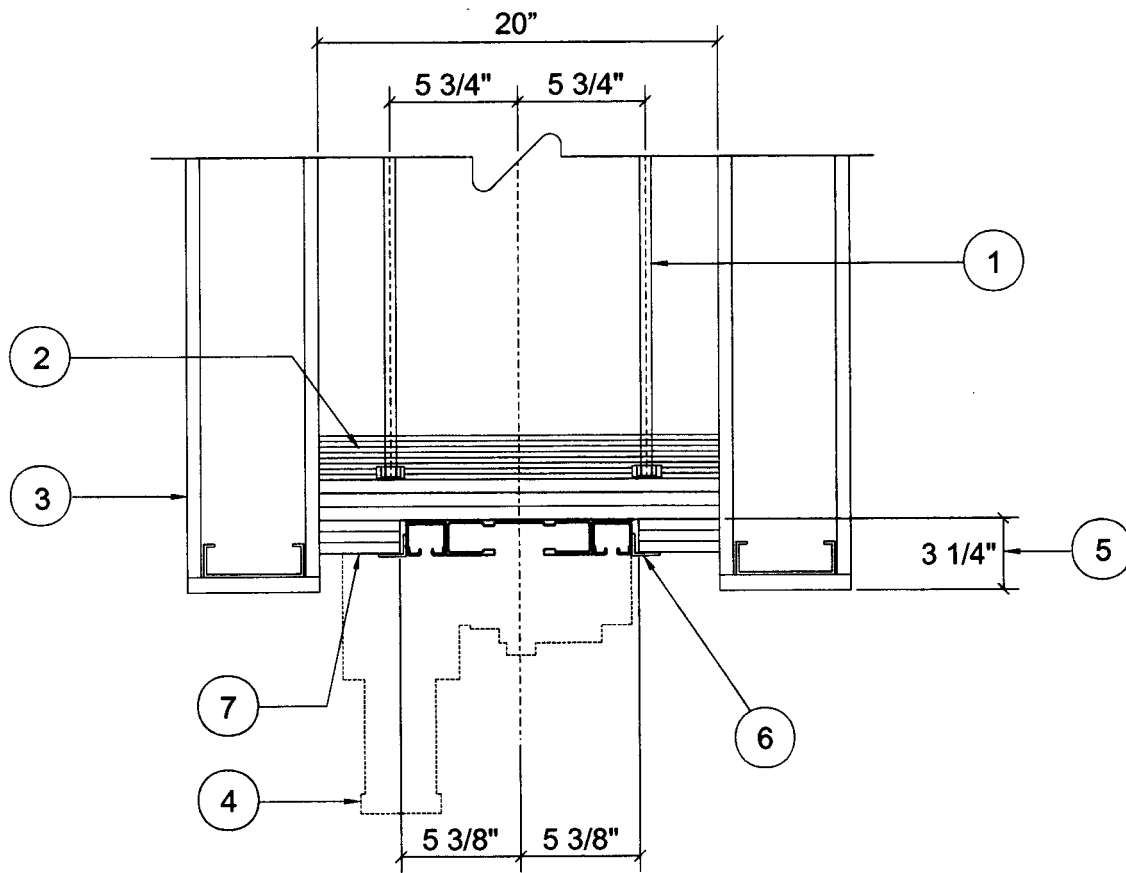


Won-Door FireGuard MFW

Head Detail



CAD FILE: MFWH1

1. 1/2" diameter threaded rod with nuts and bolts by others.
(18" on center in opening, 12" on center in stack area)
2. Three layers 3/4" x 20" plywood glued and screwed together with staggered joints at 24" O. C. by others. Three layers 5/8" x 20" gypsum board screwed to plywood by others.
3. Provide rated construction corresponding to rating required for opening by others.
(1-hour rated shown)
4. Motor operator assembly. (Mounted below header at the back of the pocket. See detail on pg. 4-6.)
5. 3 1/4" represents the minimum dimension required to meet U. L. labeling requirements. The dimension may be increased to further recess the head condition if required.
6. L-shaped trim piece pre-finished off-white color to match track by Won-Door. Provides transition from track to gypsum soffit.
7. Three layers 1/2" x 3-5/8" gypsum board termination 12" into pocket. All gypsum to be furnished and finished by others.

specifier's
note

Maximum allowable height is 9'-0".